

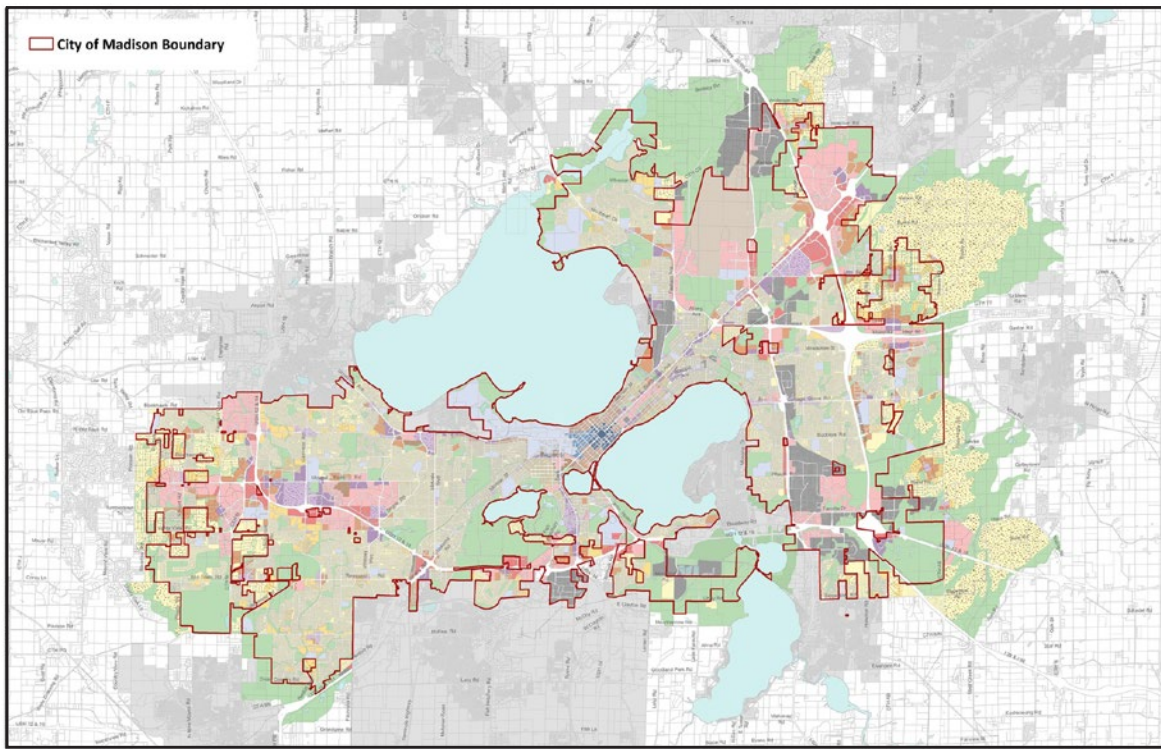


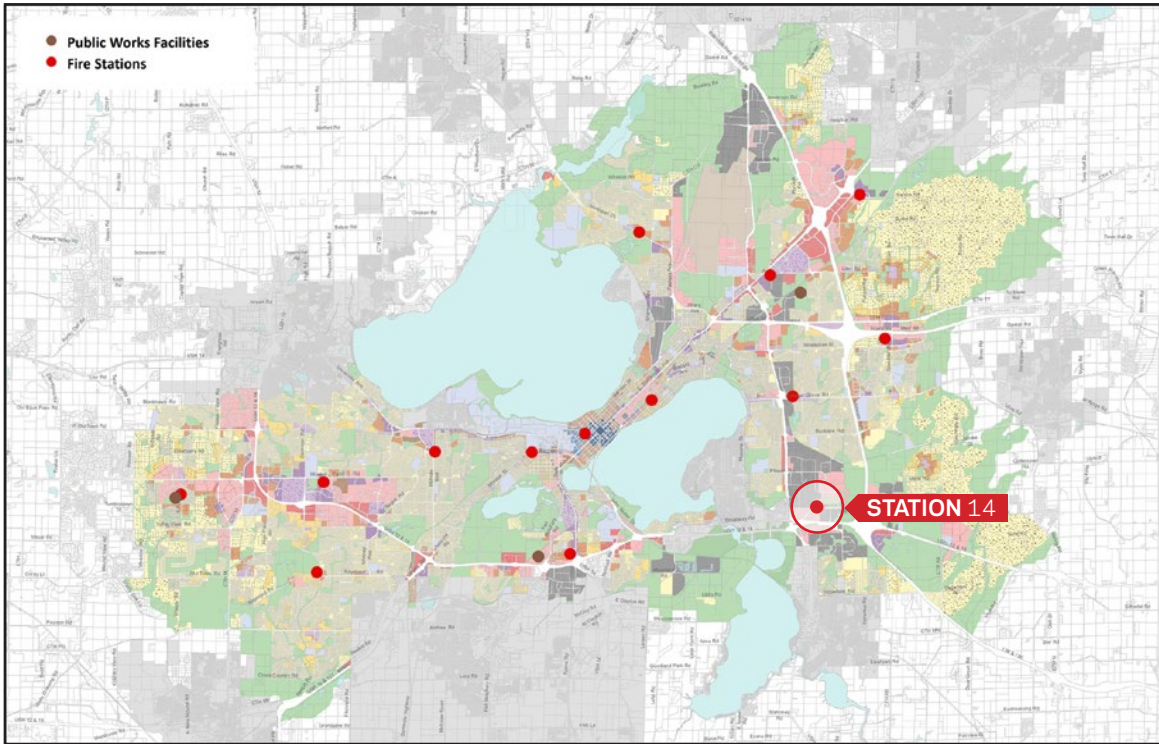
CITY OF MADISON
FIRE DEPARTMENT

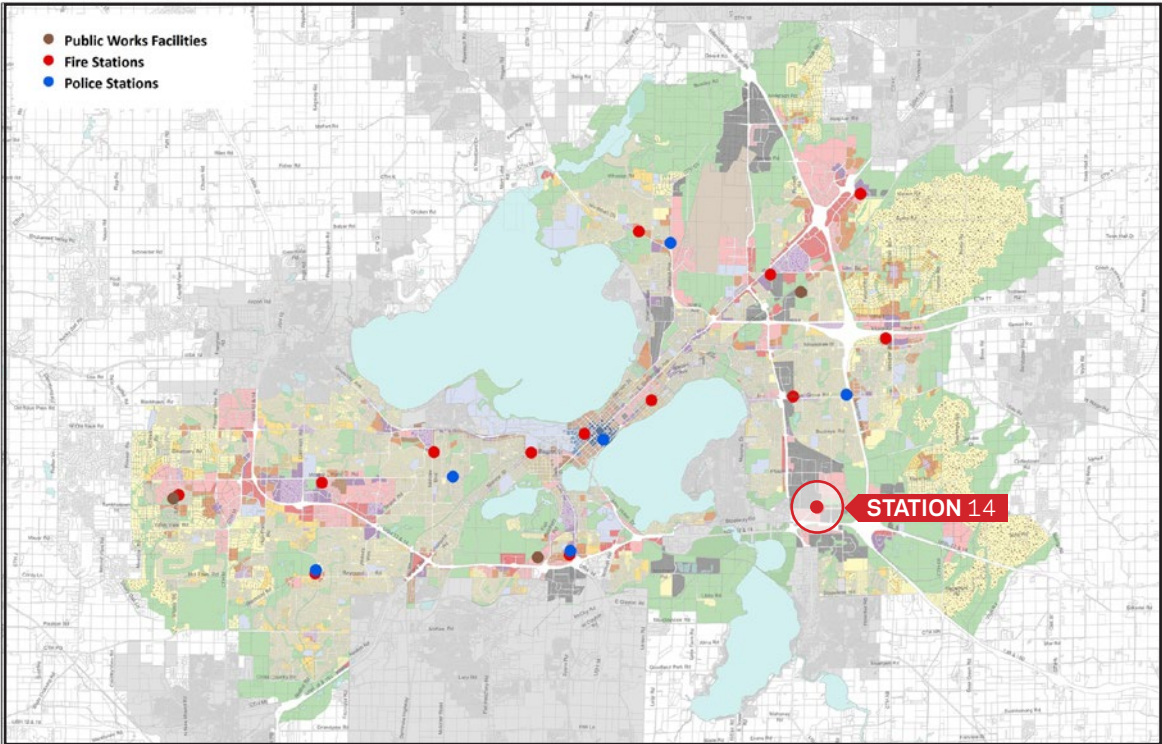
STATION 14

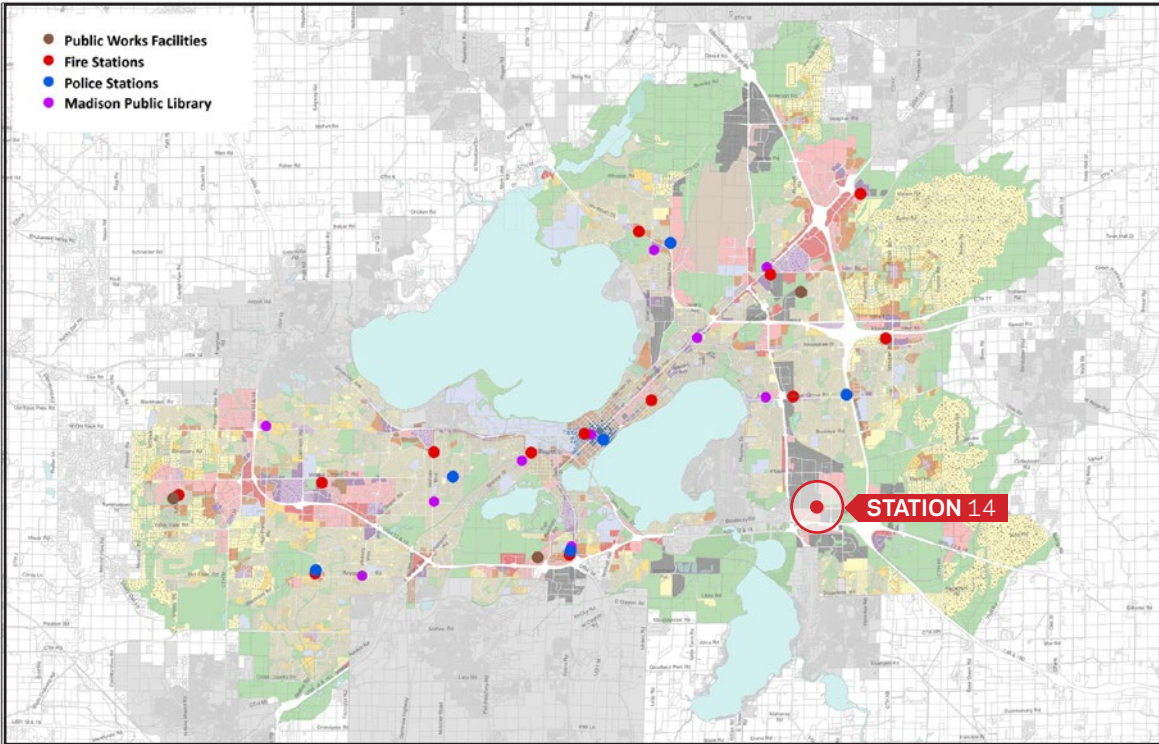
PUBLIC SESSION
05.08.2017

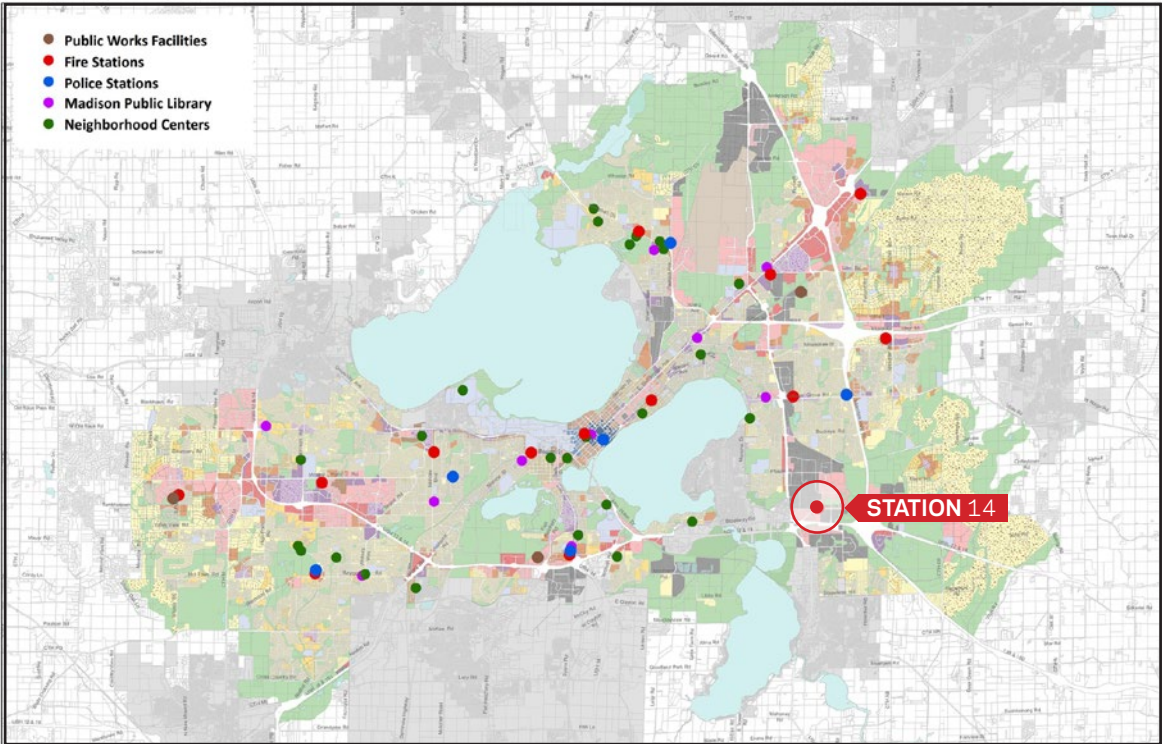
City of Madison Boundary



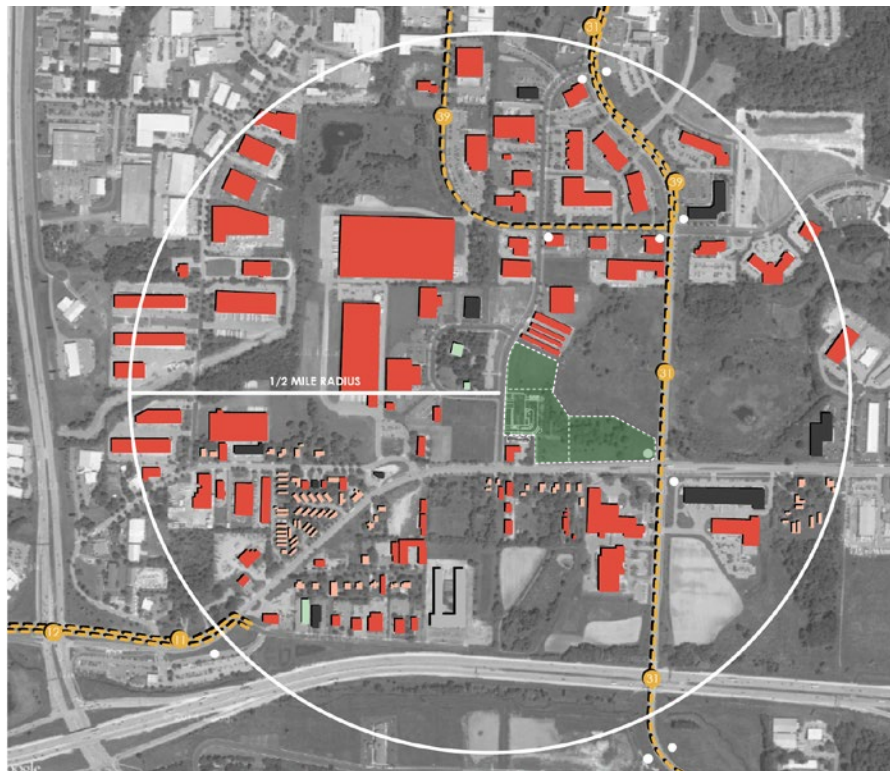




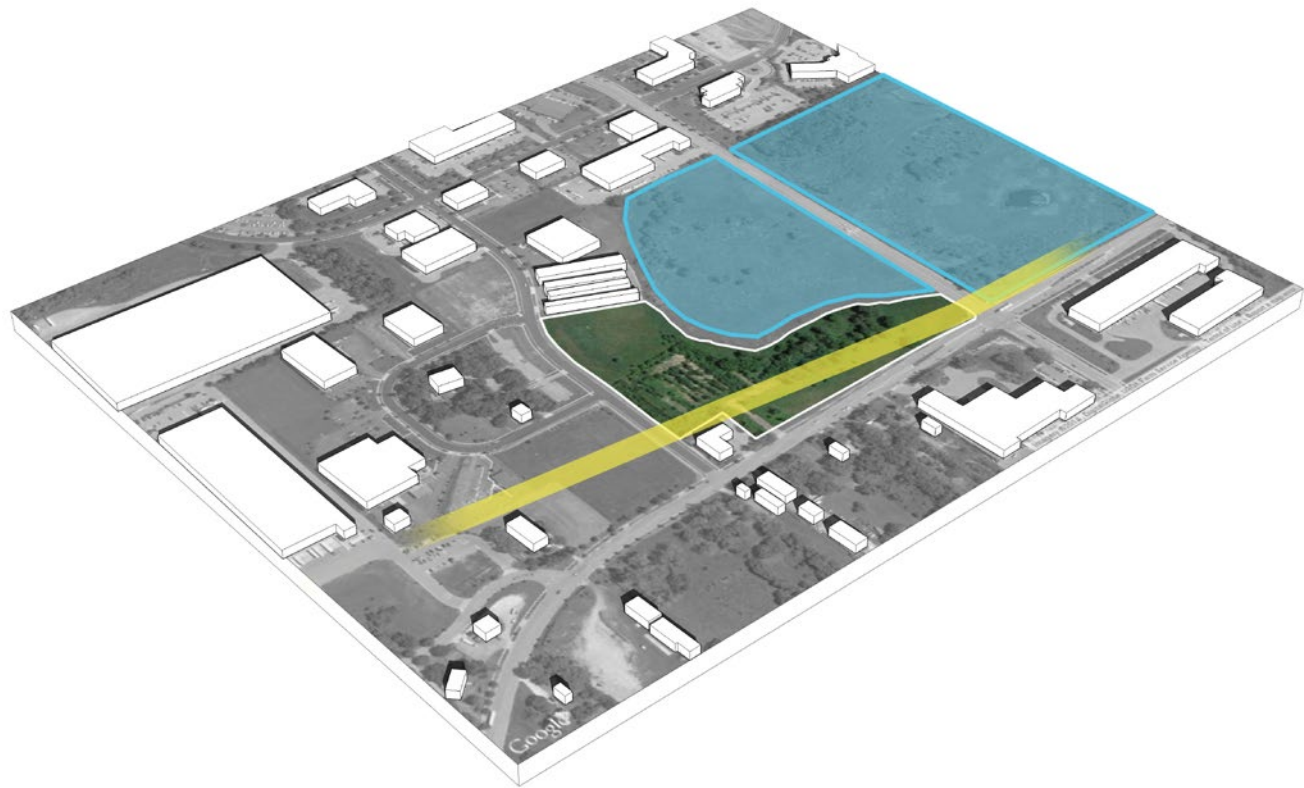


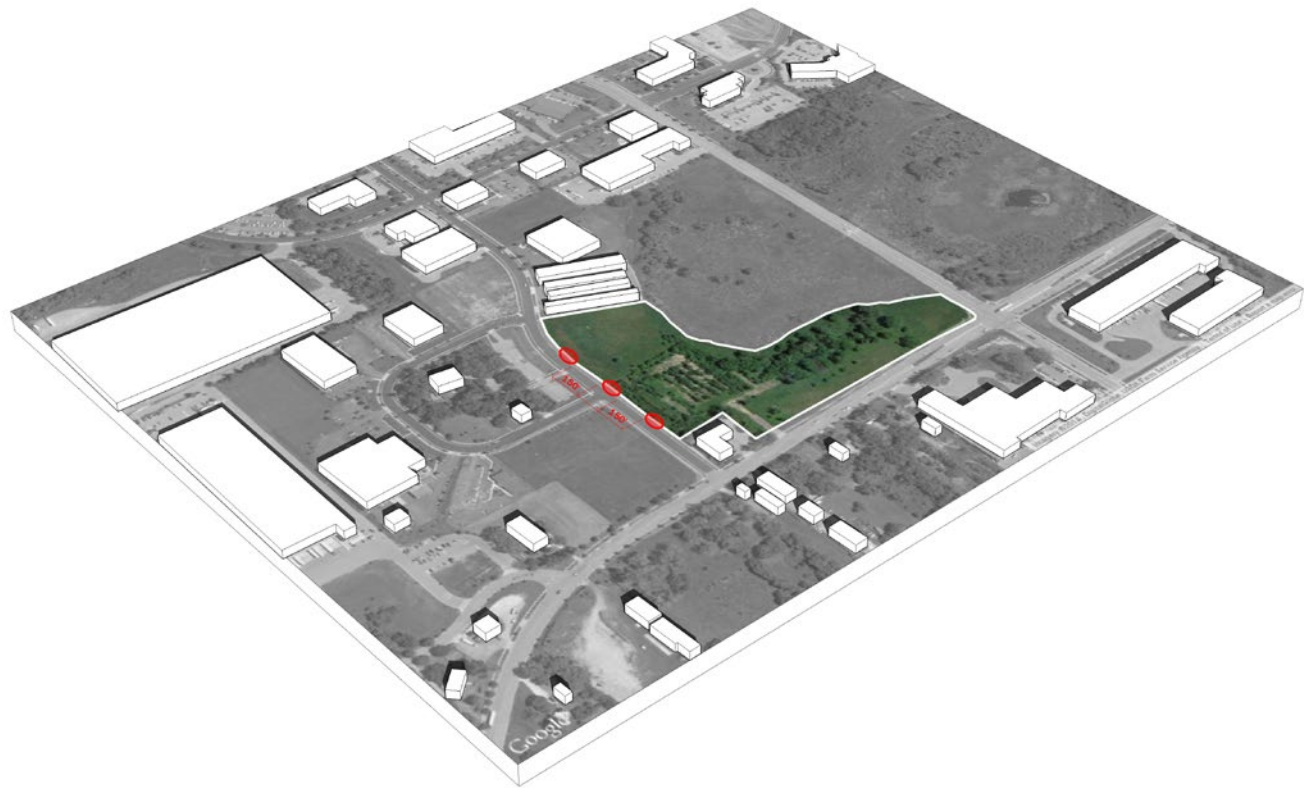


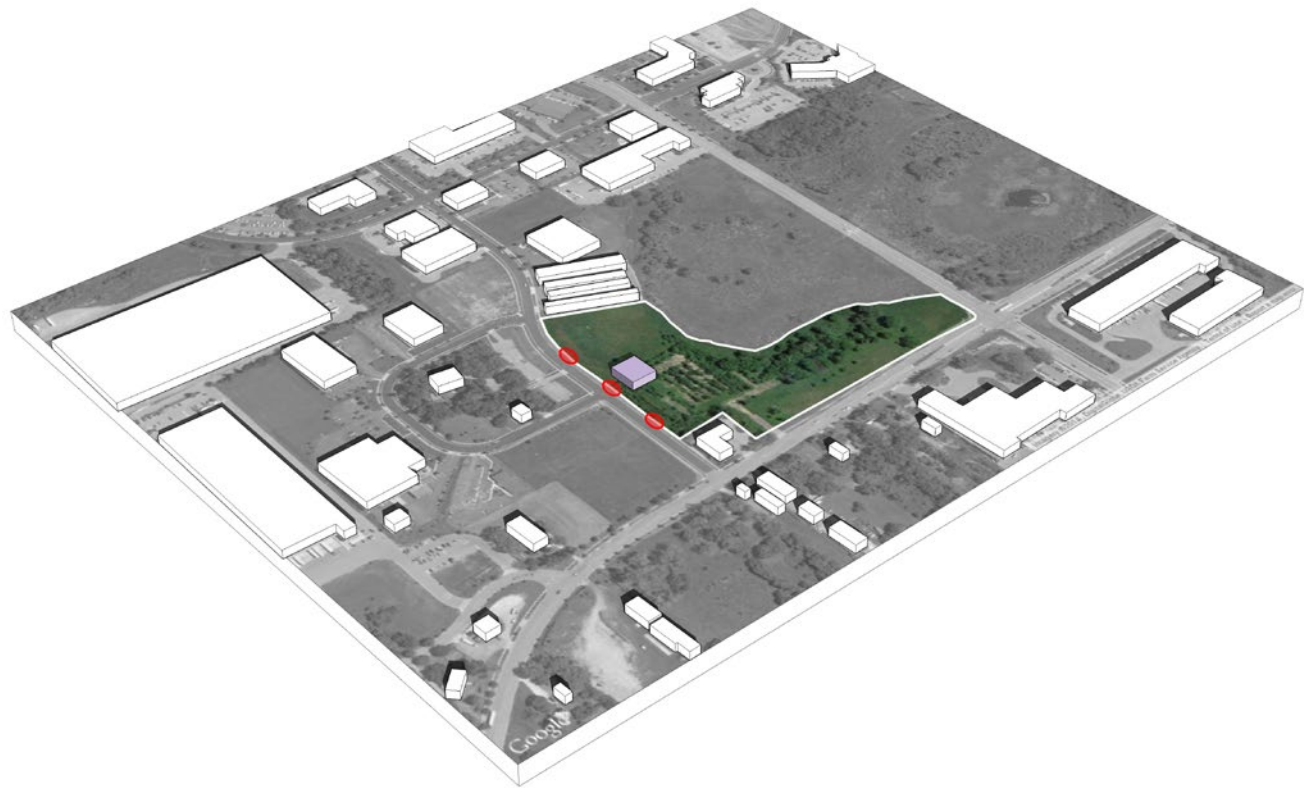
- INDUSTRIAL
- SERVICE
- PLACE OF WORSHIP
- RESIDENTIAL
- VACANCY
- METRO STOP
- METRO ROUTE

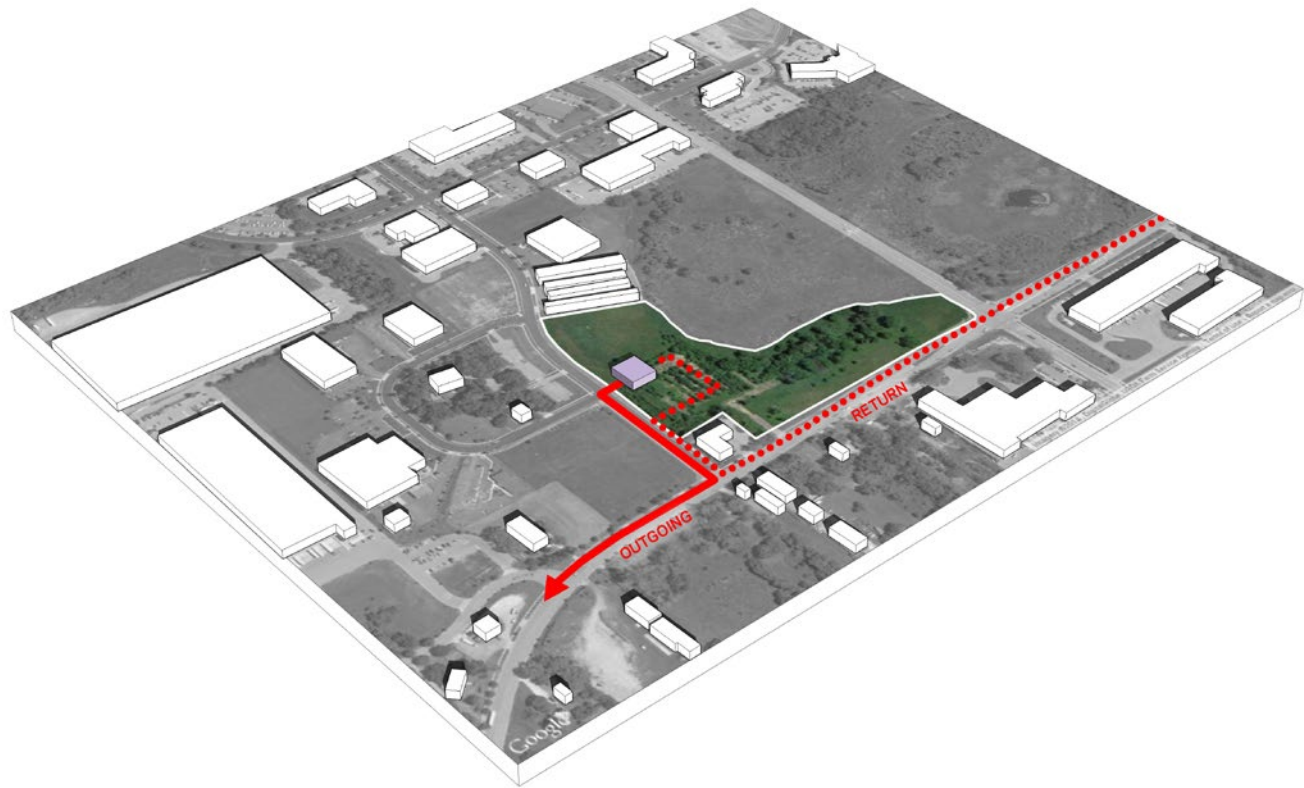




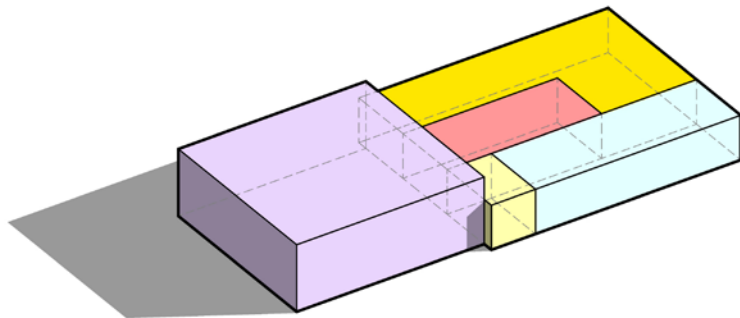








- PUBLIC AREAS
- ADMINISTRATIVE
- OPERATIONS SUPPORT
- LIVING AREAS
- OPERATIONS

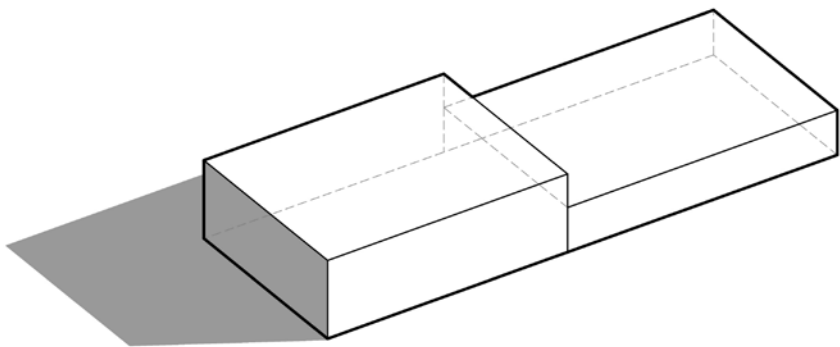


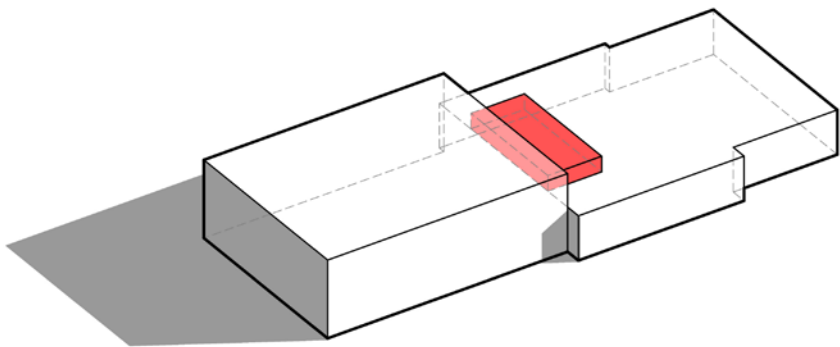
- PUBLIC AREAS
- ADMINISTRATIVE
- OPERATIONS SUPPORT
- LIVING AREAS
- OPERATIONS

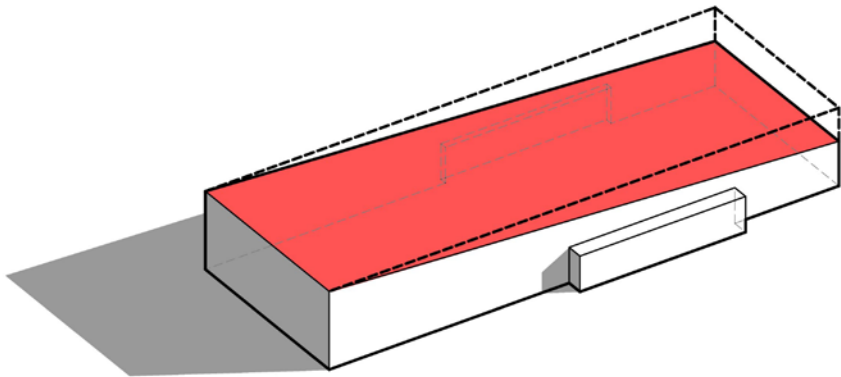


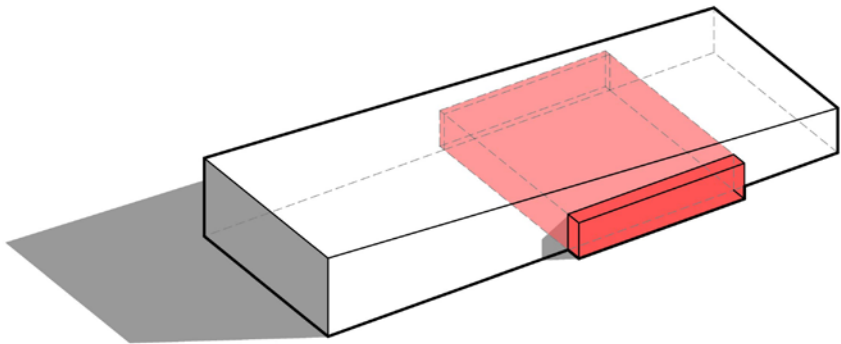
- PUBLIC AREAS
- ADMINISTRATIVE
- OPERATIONS SUPPORT
- LIVING AREAS
- OPERATIONS

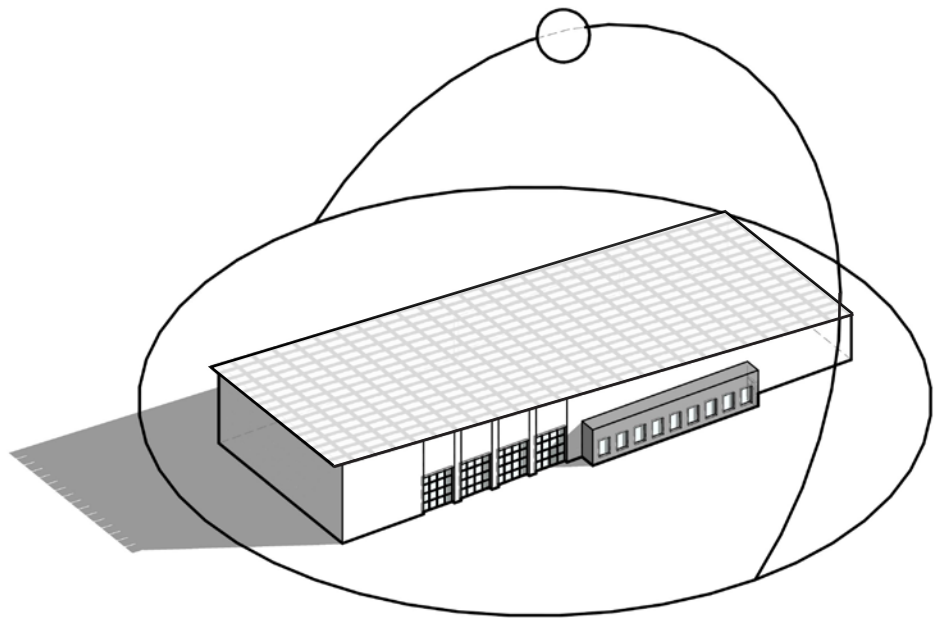






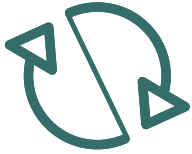






Measure 1

Integration



Measure 2

Community



Measure 3

Ecology



Measure 4

Water



Measure 5

Economy



Measure 6

Energy



Measure 7

Wellness



Measure 8

Resources



Measure 9

Change



Measure 10

Discovery



Measure 2

Community



How does the project make the most of its surrounding community, integrate with it, and give back?

- Visibility of the community room
- Adjacency to the soccer fields across the street
- Social equity is addressed through RESJI and their similar measures
- Flexible meeting spaces for the community (S,M,L & XL)
- Governmental Transparency
- Explore LEED pilot credit for social justice
- Showcase Firefighting
- Measure to enhance safety and security of the neighborhood.
- Connect to transportation infrastructure









STATION 14