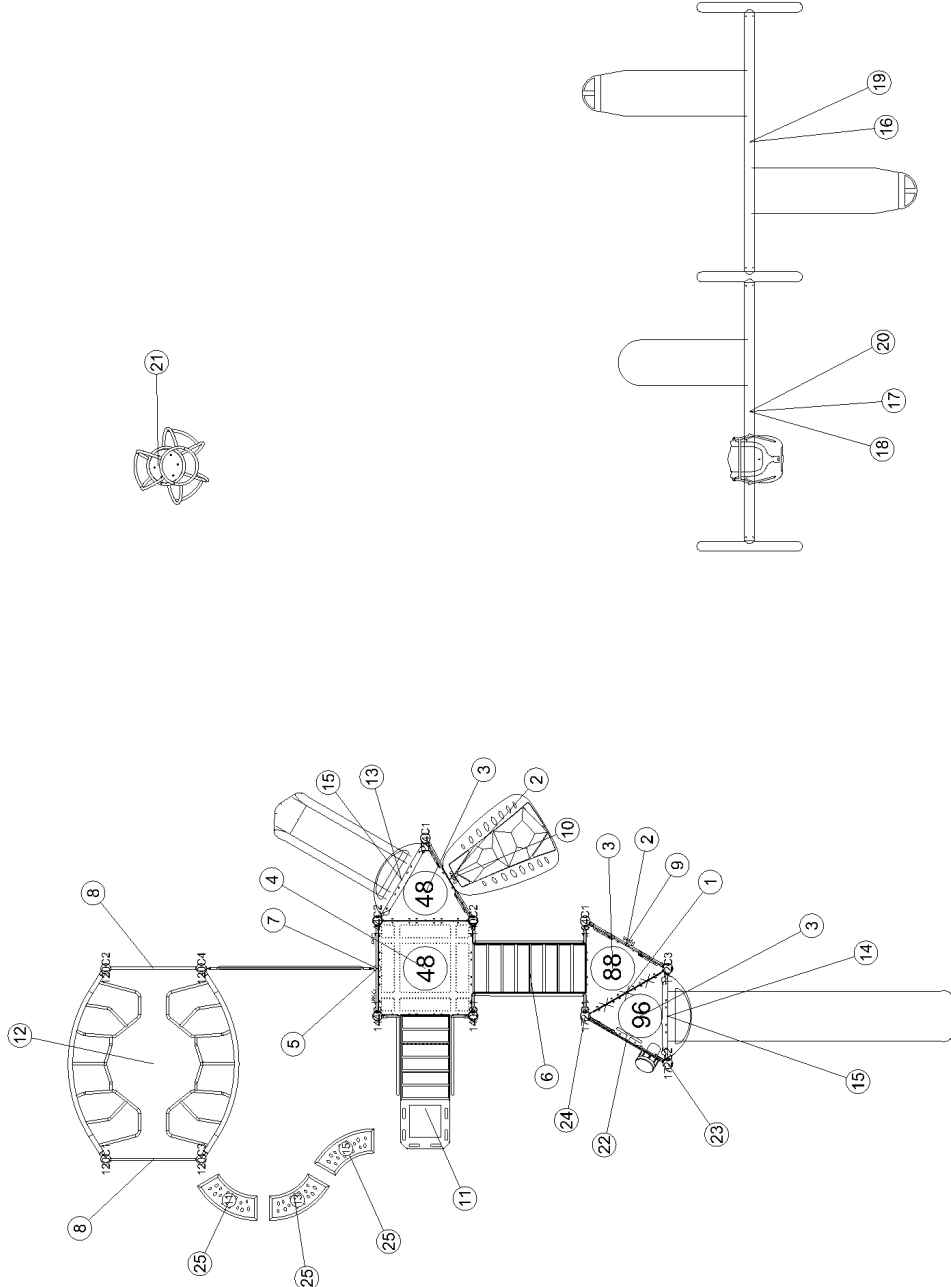


ITEM	COMP	DESCRIPTION
1	270-0009	8" CLOSURE PLATE, ELLIPSE
2	270-0120	EVOLUTION UNITARY ENCLOSURE
3	270-0129	TRIANGLE PLATFORM
4	270-0130	SQUARE PLATFORM
5	270-0292	EVOLUTION CENTER MOUNT EN
6	370-0041	EVOLUTION 40" TRANSITION ST
7	370-0171	TRANGO CLIMBER, CENTER MO
8	370-0247	END RUNGS
9	370-0871	TREE BRANCH CLIMBER 88"
10	370-1645	MANITOU CLIMBER 48"
11	370-1659	TRANSFER STATION, HANDRAIL
12	370-1684	ROUND-A-BOUT, NUCLEUS
13	470-0659	ROCKN ROLL SLIDE, 40" - 48" W
14	470-0758	VELO XL SLIDE, 88" 56" W/O HOC
15	470-0804	SLIDE HOOD, LOW SIDE WALL
16	550-0100	TOT SEAT, 7' & 8' PAIR, STD CHA
17	550-0111	BELT SEAT, 8' SINGLE, STD CHA
18	550-0135	5" OD ARCH SWING
19	550-0136	5" OD ARCH SWING ADD-ON
20	550-0171	FREEDOM SWING SEAT, 8' BEAN
21	560-2569	COMET II
22	570-2666	CAR PANEL
23	570-2704	DRUM CRESCENT PANEL
24	570-2706	CHIMES CRESCENT PANEL, LEF
25	580-1312	NOVO ARC BENCH



February 27, 2023

SERIES: Basics, Intensity, Nucleus

Oak Park Heights Park

Lee Recreation, LLC

COMPONENT PLAN

641 Hilltop Dr

142-164882-1

DRAWN BY: Joel Schleis

Madison, WI 53711